

## POSTS - FREESTANDING WITH ROOF

### Description

This partition system features freestanding posts up to 42' high and includes framed roof panels for added security. Standard post spacing is 2' to 10' center-to-center. Custom post spacing is also available. The perfect system when you need a high-level security partition in your plant or warehouse. Panels are made of 2" x 1" x 10 GA welded wire mesh framed in 1 1/4" x 1 1/4" x 12GA structural angle with one or two welded 1/2"Ø reinforcement rods.

## PRODUCT INFORMATION

This partition system features freestanding posts up to 42' high and includes framed roof panels for added security. Standard post spacing is 2' to 10' center-to-center. Custom post spacing is also available. The perfect system when you need a high-level security partition in your plant or warehouse.

### Specifications

Post Height	2" x 2" Posts = 3' to 15' high, with Base Plate = 6" x 6" x 1/4"
	2" x 4" Posts = 16' to 24' high, with Base Plate = 8" x 6" x 3/8"
	2" x 6" Posts = 25' to 42' high, with Base Plate = 10" x 6" x 1/2"
Material	Hollow Structural Tubing
Finish	Powder-coated

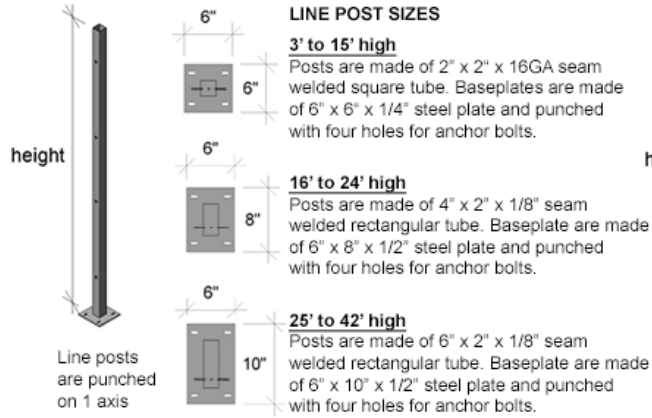
COLORS



 Cogan Grey

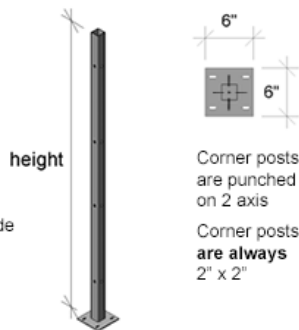
**DETAILS**

**LINE POST Baseplates**

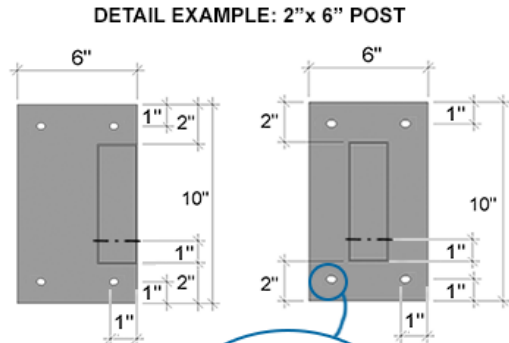
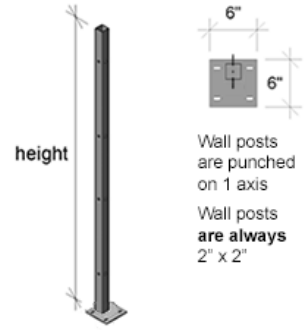


Anchors are sold separately as an accessory.

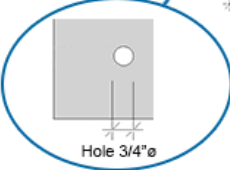
**CORNER POST Baseplate**



**WALL POST Baseplate**



**POST AT DOOR OPENING**



**IMPORTANT:**

Please note that all posts over 24' high are spliced. See installation manual for complete details.

**WALL POST**

**ROOF**

42' max height

Roofs are for security purposes only  
Roof panels are non-load bearing

Standard post spacing is 2' to 10' C/C.  
Custom post spacing is also available.

**LINE POST**

**CORNER POST**

See Gates section for more information