

RACK POST PROTECTOR

Description

Rack post protectors are used to protect racking systems from external damage, creating a barrier between traffic collisions and sensitive rack posts. Rack post protectors are composed of a 3/16" thick heavy steel curved plate welded to a base. Available in three standard heights: 12", 18" and 24". Custom sizes are also available upon request. The base plate of the rack post protector is made of 8 1/4" x 6" x 1/4" thick steel plate and has a 5 1/4" x 4" inset, which fits rack posts up to 5"W. The base plate contains (4) 5/8"Ø punched holes, evenly spaced at each corner. Rack post protectors should be securely bolted to the concrete floor using 1/2"Ø x 4 1/4" anchor bolts. Oven-cured in a powder-coated safety yellow paint finish for maximum visibility.



RACK POST PROTECTORS - 12", 18", 24"

PRODUCT INFORMATION

Specifications

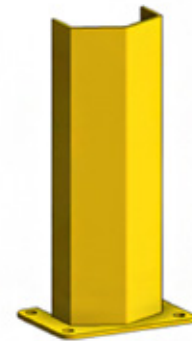
SPECIFICATIONS

Height	12", 18", 24"
Thickness	3/8"
Base Plate	For Maximum Rack Post of 5"
Inner Length	5 1/4"
Finish	Powder Coated Safety Yellow
Requires	1/2 Ø x 4 1/4" Wedge Type Floor Anchors

RACK POST PROTECTOR



Back View



Front View



Safety Yellow



Cogan
Since 1901



Rack Protection
Protect Your Racking

cogan.com

RACK POST PROTECTORS

PRODUCT INFORMATION

Delivery Lead Times

This is a Ready Made product available for expedited delivery. Please refer to the guidelines below for estimated lead times when placing your order.

\$0 - \$5,000

For orders with a total dollar value of \$5,000 and under.



Ready Made
IN STOCK. READY TO SHIP.

- Standard sizes in [blue](#) are kept in stock.
- Allow 1-2 weeks for delivery. See "Sizes" tab for options.

\$5,000 +

For orders with a total dollar value of \$5,000 and over.



Ready Made
IN STOCK. READY TO SHIP.

- For all standard sizes, allow 3-4 weeks delivery.

SIZES

Please consult the table below for a complete list of dimensions.

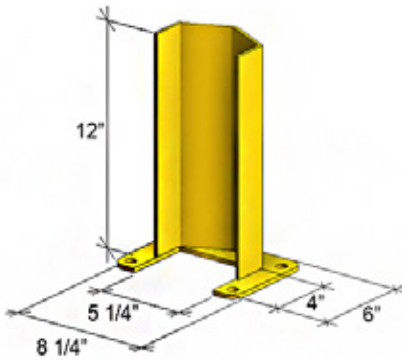
ITEM DESCRIPTION	HEIGHT	WEIGHT	ITEM #
Rack Post Protector	12"	10 lbs	RP12
Rack Post Protector	18"	13 lbs	RP18
Rack Post Protector	24"	16 lbs	RP24


Ready Made

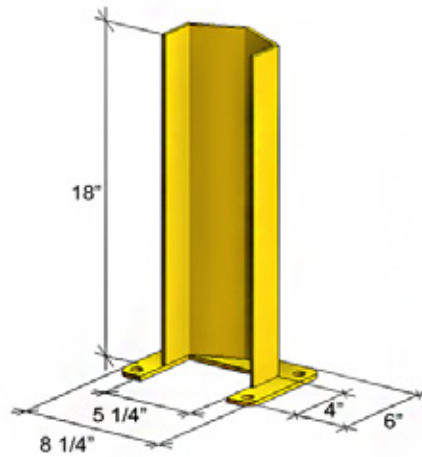
IN STOCK. READY TO SHIP.

All sizes in **blue** are kept in stock.
 See "Product Information" tab
 for delivery details.

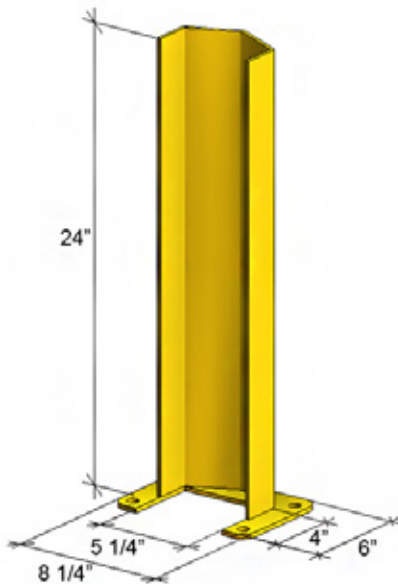
ITEM # RP12
 12" RACK POST PROTECTOR



ITEM # RP18
 18" RACK POST PROTECTOR



ITEM # RP24
 24" RACK POST PROTECTOR





Cogan
Since 1901



Rack Protection
Protect Your Racking

cogan.com

RACK POST PROTECTORS

DETAILS

Plan View

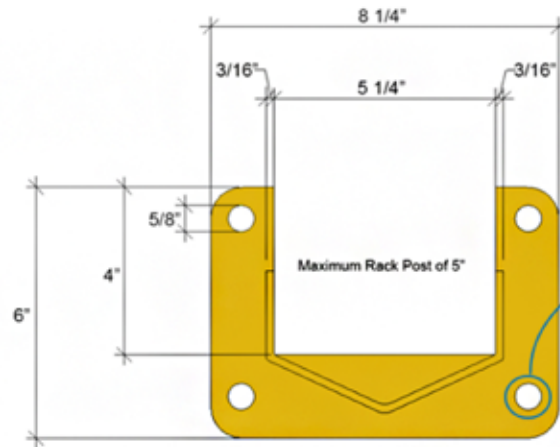
The Rack Protector Protects a
Maximum Rack Post of 5"

Crescent

Wrap Around Crescent is Made of 3/16"
Thick Steel

Base Plate

The Base Plate is Made of 1/4" Thick
Steel Plate Punched with four 5/8"Ø
Holes for Floor Anchors



Requires
1/2"Ø x 4 1/4" Wedge
Type Floor Anchors