



Cogan
Since 1901



Guardrails
A Safe Workplace

cogan.com

HEAVY - DUTY GUARDRAIL

RAILS

Description



Rails are made of roll-formed 13-gauge structural steel. The durability of the steel meets the requirements indicated by the ASTM A1011 Grade 45.

Available in various lengths ranging from 19" to 115" and are sized for the following center- to-center dimensions: 12", 24", 36", 48", 60", 72", 8", 96", 108" or 120". Custom lengths are also available. Powder-coated safety yellow paint finish.

When properly installed, heavy-duty guardrails are engineered to withstand a 10,000 lb. impact at 4 mph.

GUARDRAIL - FRONT VIEW

PRODUCT INFORMATION

Assembly

Guardrails are assembled either individually or in pairs according to the height of the column it is being attached to. The standard 12" high rail is welded to two 12 1/2" x 3" plates on each side. These plates are punched with two 9/16" connection holes and bolted to the column using Ø1/2" x 7" carriage bolts.

Specifications

SPECIFICATIONS

Construction	Unassembled Components
Material	ASTM A607 grade 50 corrugated steel
Rail Height	12"
Overall Height	12 1/2" (includes end plate)
Rail Width	3"
Overall Width	3" (includes end plate)
Thickness	13 - GA
Finish	Powder Coated Safety Yellow
Requires	Ø1/2" x 7" Carriage Bolts

RAIL FRONT



RAIL BACK



COLORS POWDER COATED TOUGH

Safety Yellow



Cogan
Since 1901



Guardrails
A Safe Workplace

cogan.com

HEAVY - DUTY GUARDRAIL

PRODUCT INFORMATION

Delivery Lead Times

This is a Ready Made product available for expedited delivery. Please refer to the guidelines below for estimated lead times when placing your order.

\$0 - \$5,000

For orders with a total dollar value of \$5,000 and under.



Ready Made

IN STOCK. READY TO SHIP.

- Standard sizes in blue are kept in stock.
- Allow 1-2 weeks for delivery. See "Sizes" tab for options.
- For all other standard sizes, allow +1 extra week for delivery.



Custom Made

PERFECT FIT. EVERY TIME

- For all custom sizes, allow +1 extra week for delivery.

\$5,000 +

For orders with a total dollar value of \$5,000 and over.



Ready Made

IN STOCK. READY TO SHIP.

+



Custom Made

PERFECT FIT. EVERY TIME

- For all standard and custom sizes, allow 3-4 weeks delivery.



Cogan
Since 1901



Guardrails
A Safe Workplace

cogan.com

HEAVY - DUTY GUARDRAIL

SIZES

Please consult the table below for a complete list of dimensions.

ITEM DESCRIPTION	NOMINAL RAIL LENGTH	EXACT RAIL LENGTH	WEIGHT	ITEM #
2' Heavy-Duty Guardrail with 12" Rail Height	2'-0"	1'-7"	17 lbs	G-GR2
3' Heavy-Duty Guardrail with 12" Rail Height	3'-0"	2'-7"	22 lbs	G-GR3
4' Heavy-Duty Guardrail with 12" Rail Height	4'-0"	3'-7"	25 lbs	G-GR4
5' Heavy-Duty Guardrail with 12" Rail Height	5'-0"	4'-7"	33 lbs	G-GR5
6' Heavy-Duty Guardrail with 12" Rail Height	6'-0"	5'-7"	39 lbs	G-GR6
7' Heavy-Duty Guardrail with 12" Rail Height	7'-0"	6'-7"	45 lbs	G-GR7
8' Heavy-Duty Guardrail with 12" Rail Height	8'-0"	7'-7"	51 lbs	G-GR8
9' Heavy-Duty Guardrail with 12" Rail Height	9'-0"	8'-7"	57 lbs	G-GR9
10' Heavy-Duty Guardrail with 12" Rail Height	10'-0"	9'-7"	63 lbs	G-GR10



Ready Made
IN STOCK. READY TO SHIP.



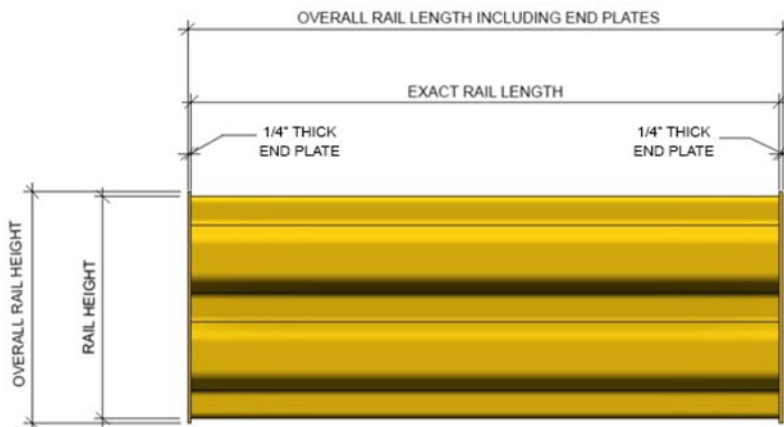
Custom Made
PERFECT FIT. EVERY TIME

All sizes in **blue** are kept in stock.
See "Product Information" tab
for delivery details.

Custom sizes are also available.

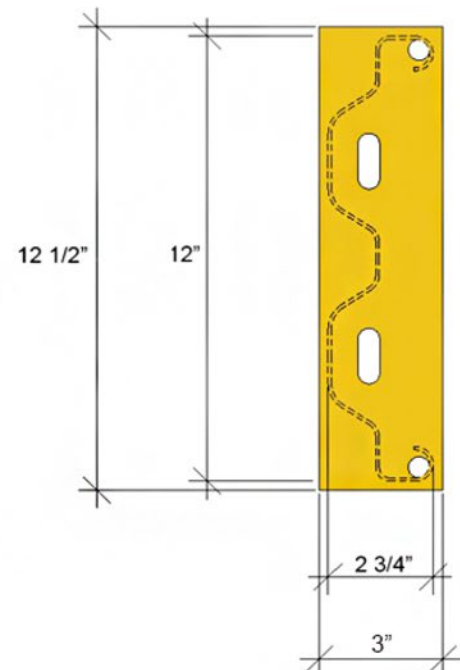
FRONT VIEW

Exact rail length including end plates
1/4" thick each
Overall rail height of 12 1/2"



SIDE VIEW

Rail is welded to a 12 1/2" x 3" x 1/4" thick end plate at each side.





Cogan
Since 1901



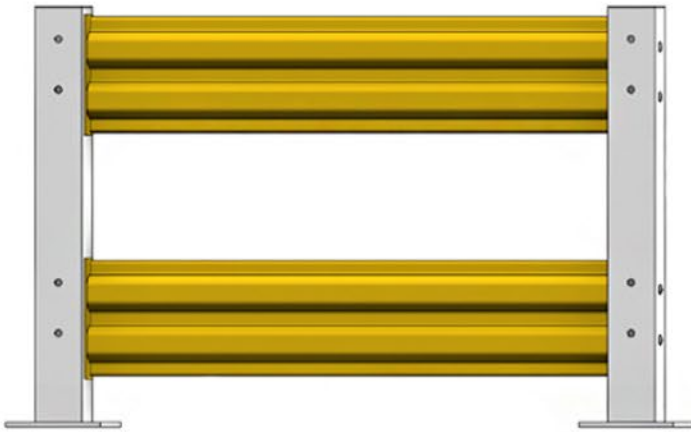
Guardrails
A Safe Workplace

cogan.com

HEAVY - DUTY GUARDRAIL

DETAILS

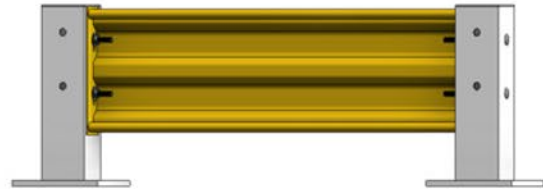
DOUBLE HEAVY DUTY GUARDRAIL
FRONT VIEW



SINGLE HEAVY DUTY GUARDRAIL
FRONT VIEW

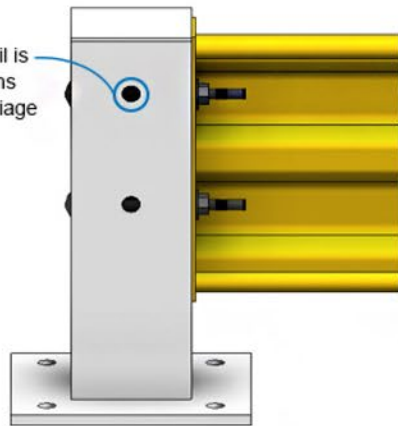


BACK VIEW

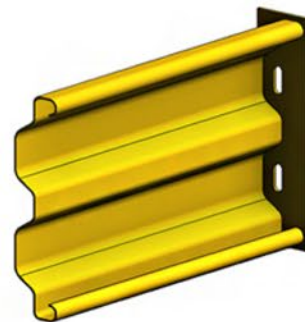


HEAVY DUTY GUARDRAIL
CONNECTION DETAIL

The heavy duty guardrail is connected to the columns using 2 - $\text{\O}1/2"$ x 7" carriage bolts



SECTION VIEW
RAIL SECTION





Cogan
Since 1901



Guardrails
A Safe Workplace

cogan.com

HEAVY - DUTY GUARDRAIL

HOW TO ORDER

LAYOUT EXAMPLE (PLAN VIEW)

